

33 500 882

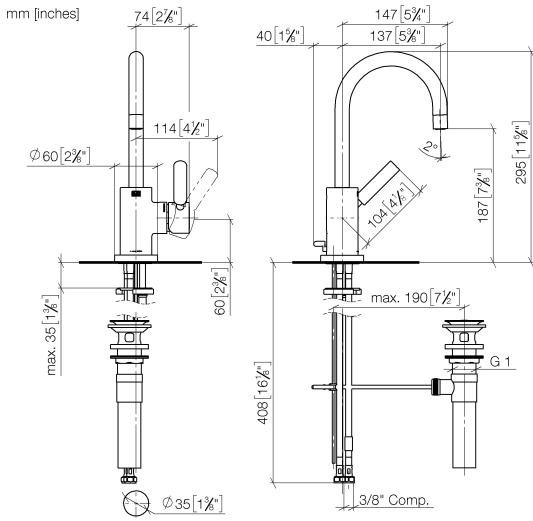


- 137mm projection
- pivotable spout 360°
- circular, air-enriched flow
- height of mixer 295 mm
- height up to aerator 187 mm
- hole diameter 35 mm
- 2x screw-in M 8 x 1 pressure hose, leak-tested
- max. flow 4.5 l/min
- lead-free
- This product can help a building meet the requirements of Green Building Rating Systems, e.g. LEED®, BREEAM®, DGNB

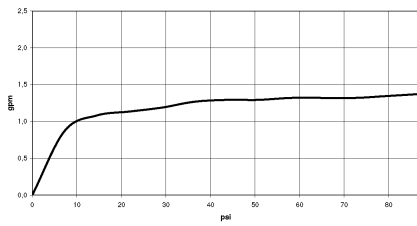
Only suitable for basins with an overflow.

| | | |
|---|--------------------------------|--------------------|
|  | Chrome | 33 500 882-00 0010 |
|  | Brushed Platinum | 33 500 882-06 0010 |
|  | Platinum | 33 500 882-08 0010 |
|  | Dark Chrome | 33 500 882-19 0010 |
|  | Brushed Durabronze (23kt Gold) | 33 500 882-28 0010 |
|  | Matte Black | 33 500 882-33 0010 |
|  | Brushed Bronze | 33 500 882-42 0010 |
|  | Brushed Champagne (22kt Gold) | 33 500 882-46 0010 |
|  | Champagne (22kt Gold) | 33 500 882-47 0010 |
|  | Brushed Chrome | 33 500 882-93 0010 |
|  | Brushed Dark Platinum | 33 500 882-99 0010 |

33 500 882



Flow rate chart



Codes & Standards

California Energy
Commission
(CEC)

Water Sense





TARA Single-lever basin mixer with pop-up waste - Chrome

TARA

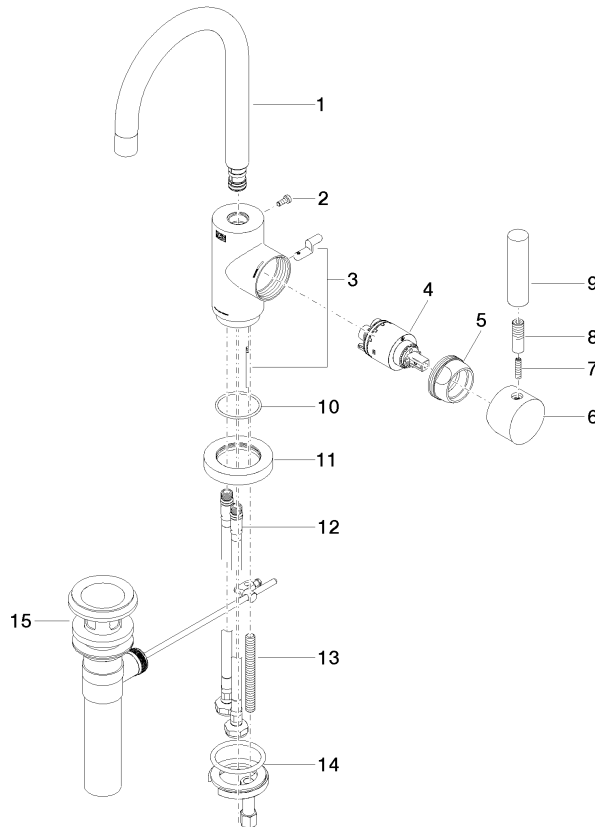
33 500 882

Certificates

IAPMO_8834 (2). IAPMO_4976 (7). IAPMO_N-4976 (1). IAPMO_6397 (1).

33 500 882

Parts for other finishes can be found here: Brushed Platinum



Spare parts list

| No. | Item Number | Name | Quantity used | Delivery time |
|-----|--------------------|--------------|---------------|---------------|
| 1 | 90 28 22 371 01-00 | spout | 1 | 10 |
| 2 | 09 30 30 054 90 | screw | 1 | 2 |
| 3 | 04 20 16 031 80-00 | pull-rod | 1 | 10 |
| 4 | 90 15 05 065 00 90 | cartridge | 1 | 2 |
| 5 | 09 24 04 107-00 | nut | 1 | 10 |
| 6 | 90 20 88 040 00-00 | handle | 1 | 10 |
| 7 | 09 31 11 010 90 | pin | 1 | 2 |
| 8 | 90 24 04 048 00-00 | nipple | 1 | 10 |
| 9 | 11 170 880-00 | handle | 1 | 10 |
| 10 | 09 14 10 034 90 | seal | 1 | 2 |
| 11 | 09 28 10 055-00 | rosette | 1 | 10 |
| 12 | 04 30 04 106 00 90 | hose | 2 | 2 |
| 13 | 09 31 11 011 90 | pin | 1 | 2 |
| 14 | 04 30 11 038 00 90 | fixing set | 1 | 2 |
| 15 | 90 11 01 023 00-00 | pop-up waste | 1 | 10 |